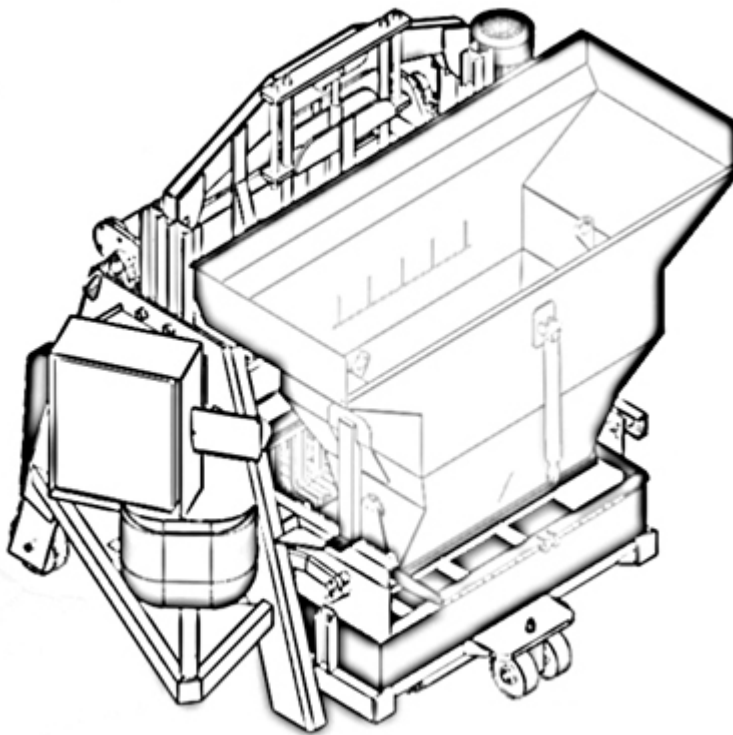




**Mechanical Innovations**

## SW5 BRICK MACHINE



[gds.ltd@gmail.com](mailto:gds.ltd@gmail.com)

**Tel: +972(4)6331746**

**Fax: +972(4)6331662**

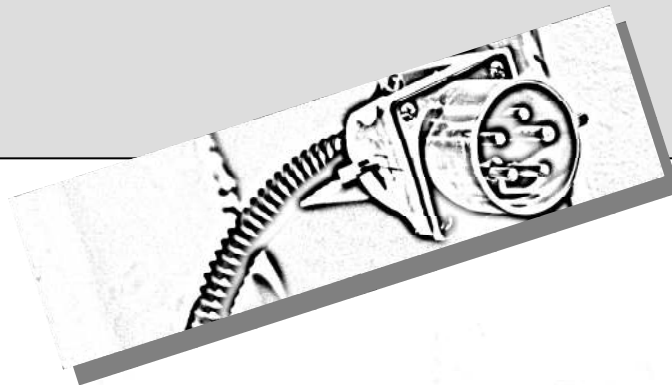
[www.brickmachine.com](http://www.brickmachine.com)



## **Mechanical Innovations**

### **Technical specifications:**

- Width: 250cm
- Height: 200cm
- Length: 175cm
- Weight: 1250kg
- Daily production rate: 5000 bricks



**[gds.ltd@gmail.com](mailto:gds.ltd@gmail.com)**

**Tel: +972(4)6331746**

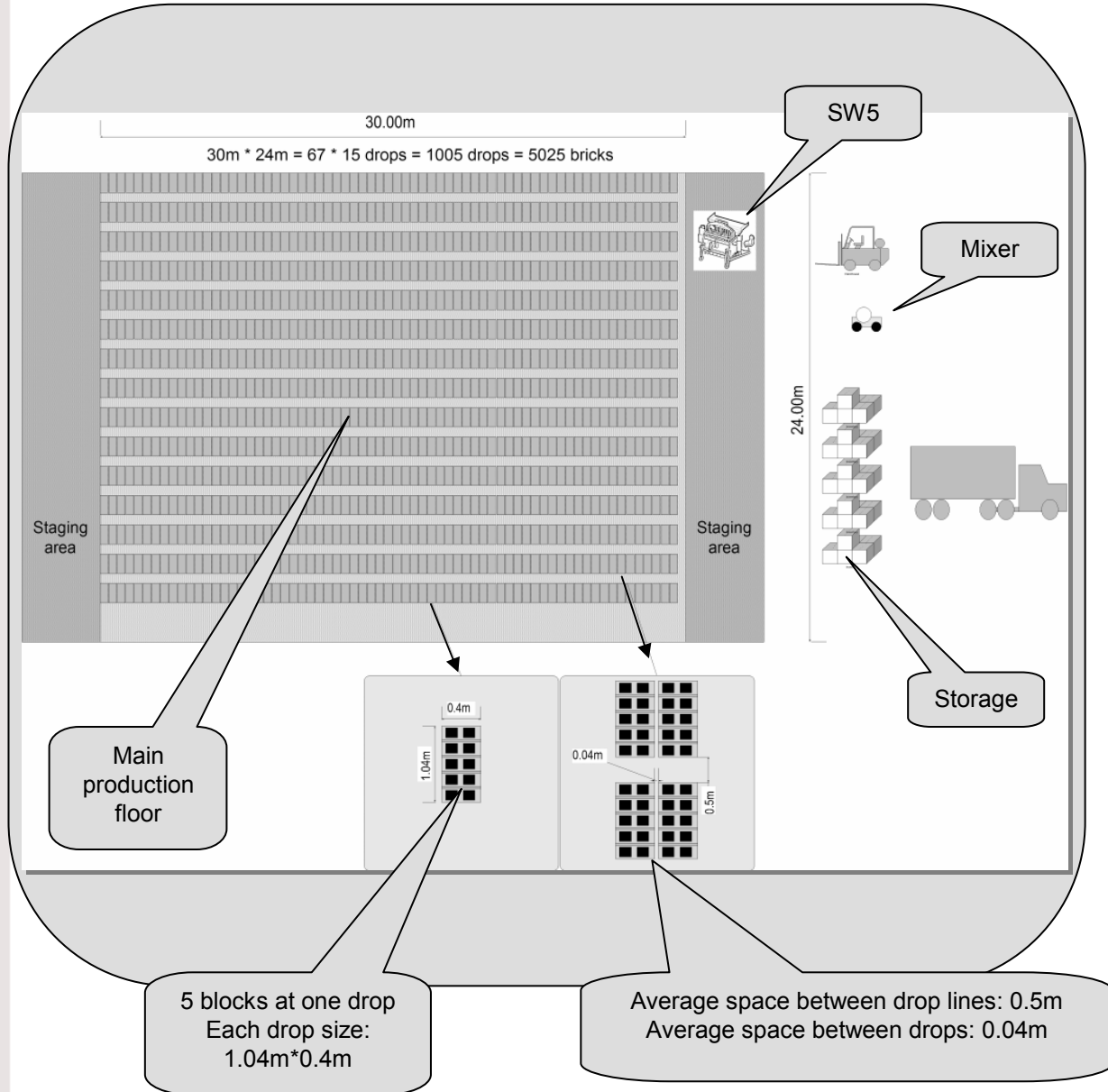
**Fax: +972(4)6331662**



**GDS**

## Mechanical Innovations

**Typical block production facility diagram**  
**(all figures are relevant for 20\40 block)**



[gds.ltd@gmail.com](mailto:gds.ltd@gmail.com)

**Tell: +972(4)6331746**

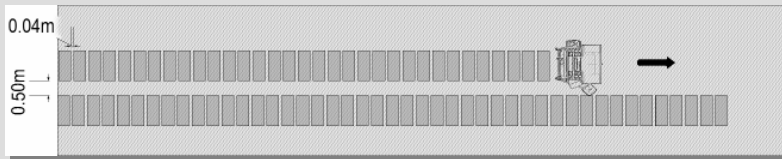
**Fax: +972(4)6331662**



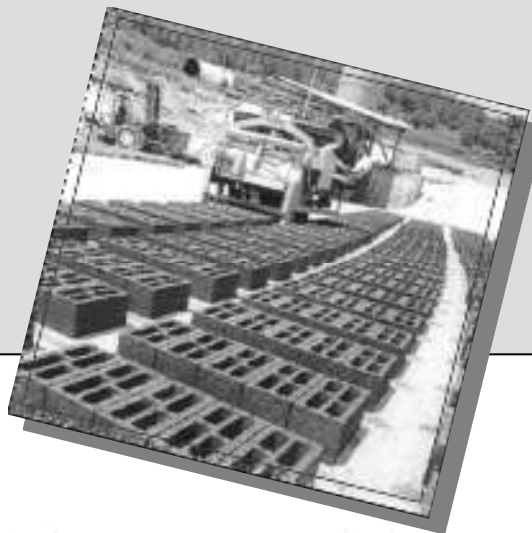
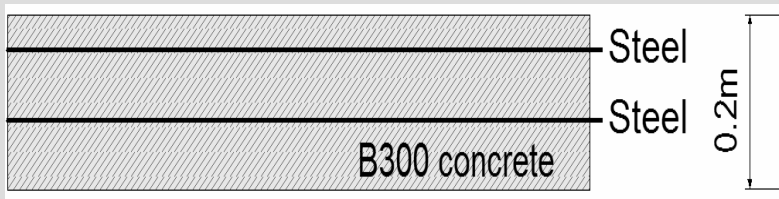
**GDS**

## Mechanical Innovations

### Production procedure:



### Floor scheme:



[gds.ltd@gmail.com](mailto:gds.ltd@gmail.com)

Tell: +972(4)6331746

Fax: +972(4)6331662

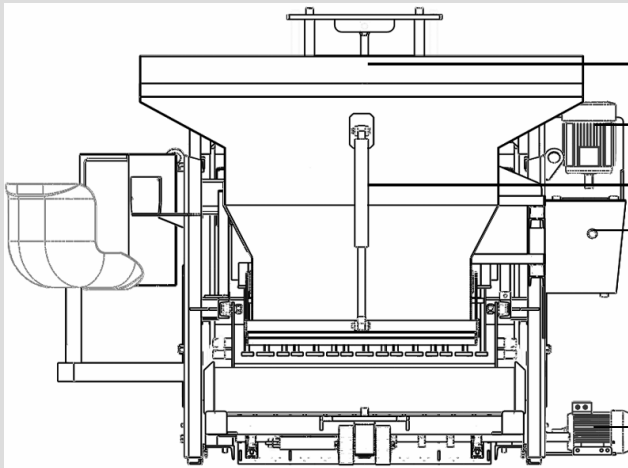


**GDS**

## Mechanical Innovations

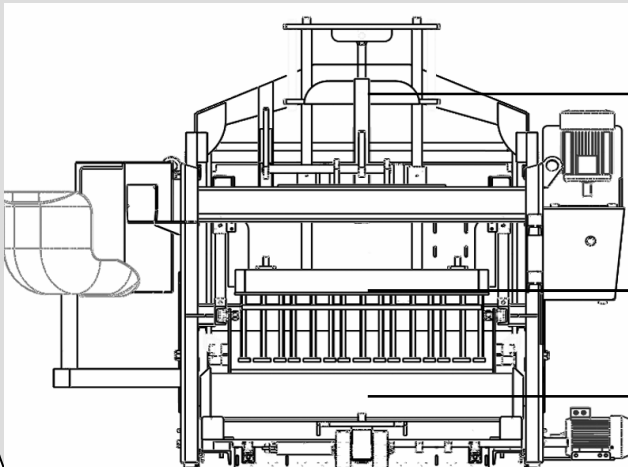
### THE SW5

#### With SILO



- SILO
- OIL PUMP ENGINE
- SILO PISTON
- OIL LEVEL WINDOW
- MOLD VIBRATION MOTOR

#### Without SILO



- HAMMER PISTON
- HAMMER
- TRAY



[gds.ltd@gmail.com](mailto:gds.ltd@gmail.com)

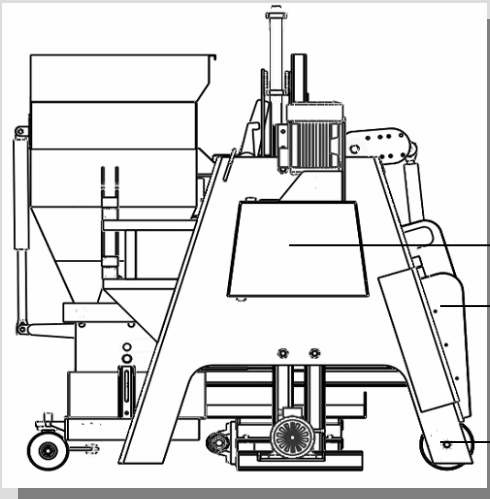
Tell: +972(4)6331746

Fax: +972(4)6331662



## Mechanical Innovations

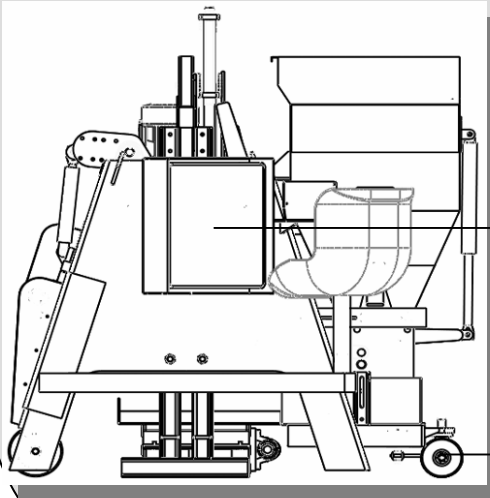
### THE SW5



HYDRAULIC OIL TANK

WHEEL CHAIN COVER

WHEELS



CONTROL CABINET

FRONT WHEEL (L/R)



[gds.ltd@gmail.com](mailto:gds.ltd@gmail.com)

Tel: +972(4)6331746

Fax: +972(4)6331662